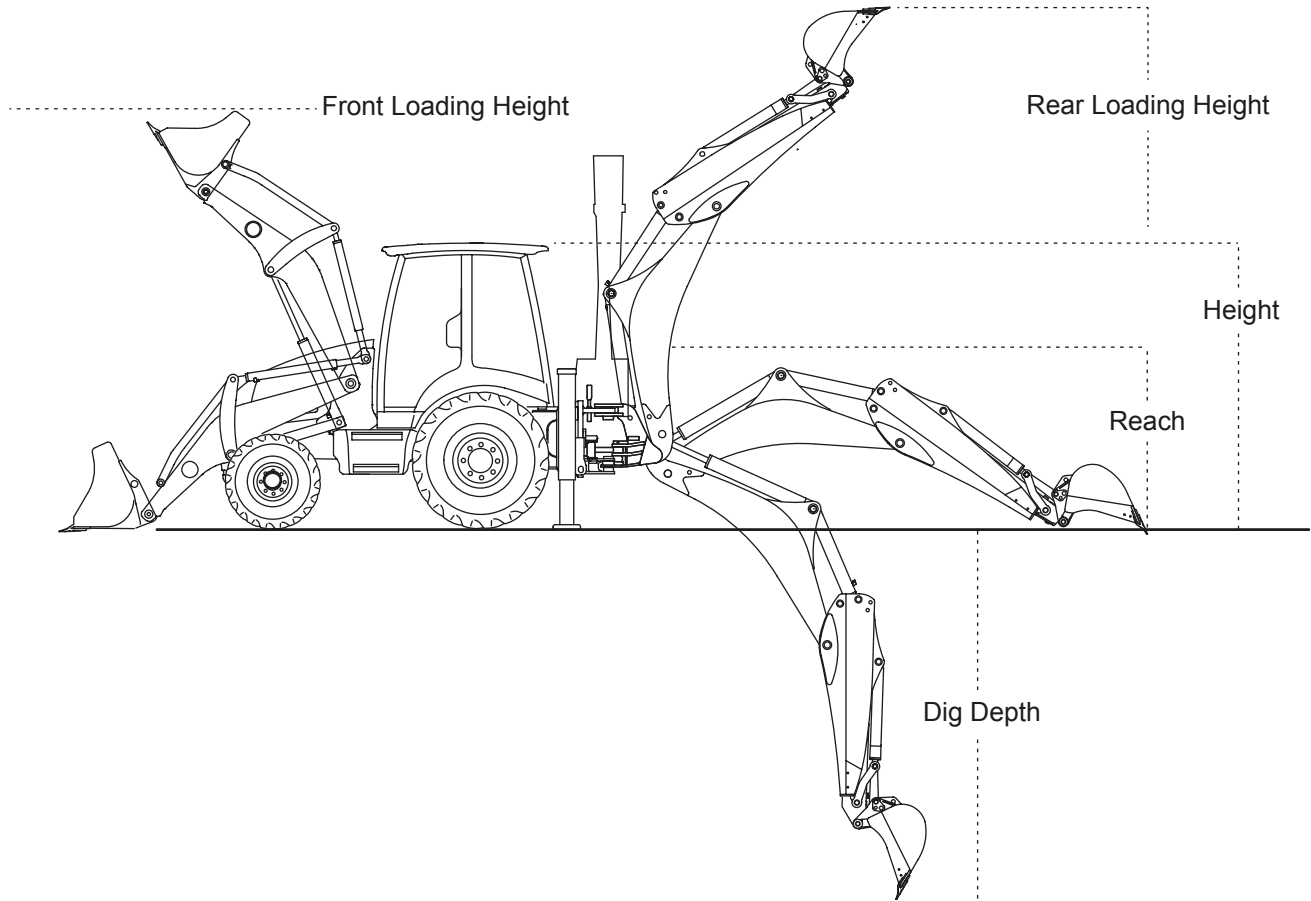


# BACKHOE LOADERS

SPECIFICATIONS v.01/2013



	Height (mm)	Length (mm)	Width (mm)	Dig Depth (mm)	Rear Loading Height (mm)	Front Loading Height (mm)	Reach (mm)
Small	2900	5250	1900	2500	2040	2400	3400
Medium	3500	6205	2295	4500	4050	2800	6500
Large	4000	7490	2490	6450	5300	3830	7320

## ADDITIONAL FUNCTIONS & ATTACHMENTS:

- > **4-in-1 bucket** The general bucket attachment with the ability to scrap and grab.
- > **Bucket types/sizes** Ranging from 200mm to 1.2m in width, the different configurations available include digging buckets, mud buckets, trenching buckets and sifting buckets.
- > **Extender hoe** Used in applications where extra reach is needed.
- > **Fork tynes** Used for pallet loading applications.

\* Equipment specifications are a guide only and may vary by year, make and model.

### HEAD OFFICE

Eastern Plant Hire  
358 Whitehorse Road  
Nunawading Victoria 3131  
Australia

### VISIT US

Office hours 6:00am – 6:30pm.  
For emergency assistance outside of these times, call 03 8878 9111 to speak to our after hours representative.

### CONTACT US

T 03 8878 9111  
F 03 8878 9100  
E [admin@ephgroup.com.au](mailto:admin@ephgroup.com.au)  
W [easternplanthire.com](http://easternplanthire.com)

### FOLLOW US

For latest news, social media & offers;  
[f easternplanthire](https://www.facebook.com/easternplanthire)  
[t EPHGroup](https://www.linkedin.com/company/ephgroup)  
[in eastern-plant-hire](https://www.instagram.com/eastern-plant-hire)