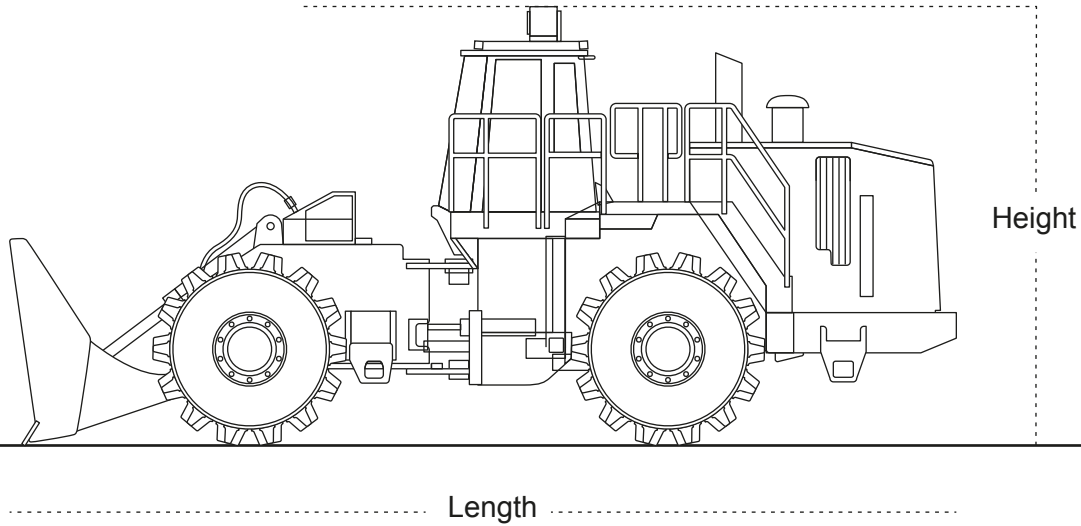


COMPACTORS

SPECIFICATIONS v.01/2013



815 COMPACTOR

	Operating Weight (tonne)	Height (mm)	Length (mm)	Blade Width (mm)	Turning Circle (mm)	Drum Width (mm)
Small	4.4	2600	4210	1530	8000	1370
Medium	12	3000	5760	2330	10800	2130
Large	25	3270	6560	2500	12800	2240

825 COMPACTOR

	Operating Weight (tonne)	Height (mm)	Length (mm)	Blade Width (mm)	Turning Circle (mm)	Drum Width (mm)
Small	4.6	2640	4370	1520	4480	1400
Medium	12	2990	5970	2300	6800	2130
Large	25	3022	6340	2300	12020	2240

ADDITIONAL FUNCTIONS & ATTACHMENTS:

- > **GPS Technology** Commonly used to give readings of ground and compaction levels, GPS technology is developing rapidly in the Compactor's usage which allows for accurate production.

* Equipment specifications are a guide only and may vary by year, make and model.

HEAD OFFICE

Eastern Plant Hire
358 Whitehorse Road
Nunawading Victoria 3131
Australia

VISIT US

Office hours 6:00am – 6:30pm.
For emergency assistance outside of these times, call 03 8878 9111 to speak to our after hours representative.

CONTACT US

T 03 8878 9111
F 03 8878 9100
E admin@ephgroup.com.au
W easternplanthire.com

FOLLOW US

For latest news, social media & offers;
[f](#) easternplanthire
[t](#) EPHGroup
[in](#) eastern-plant-hire