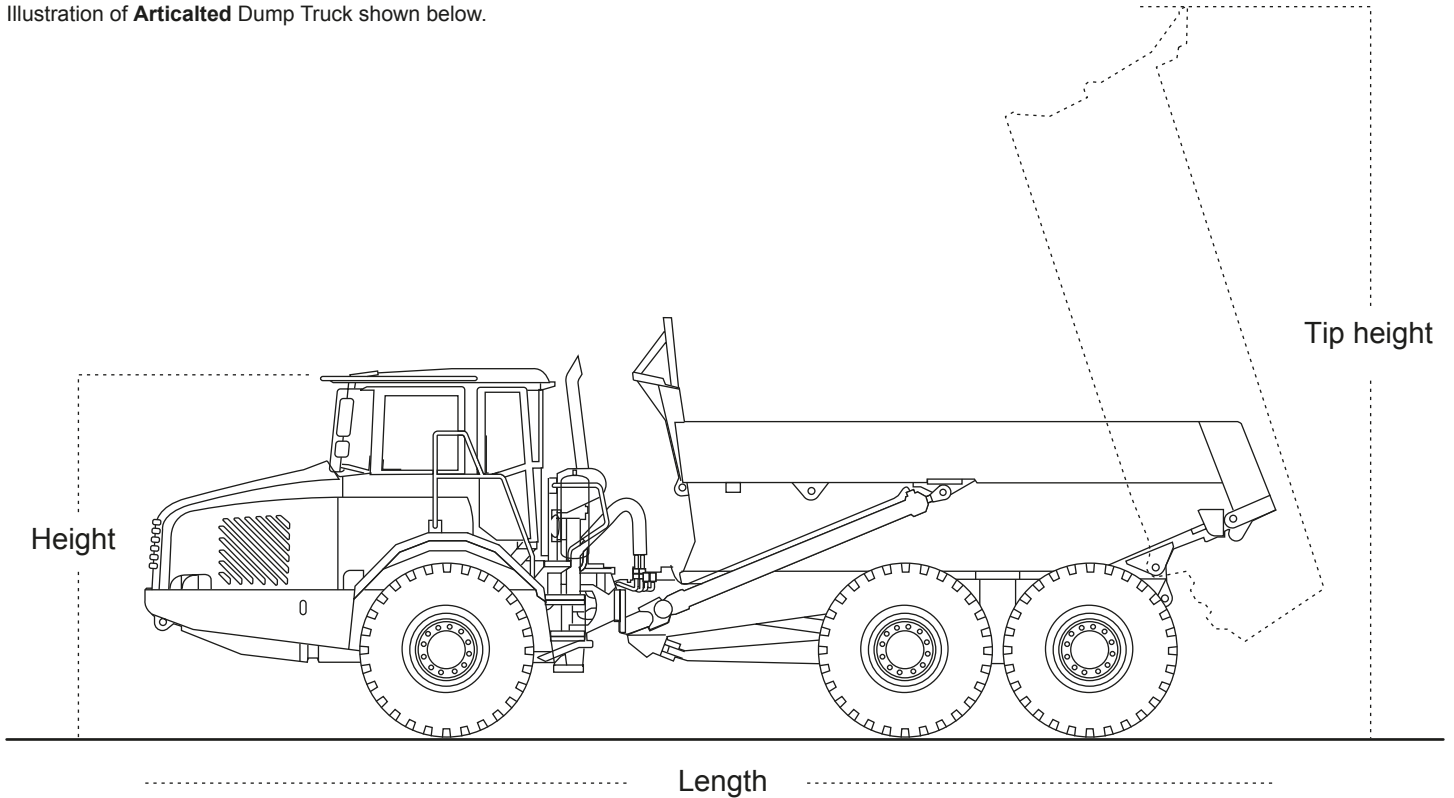


DUMP TRUCKS

SPECIFICATIONS v.01/2013



Illustration of **Articlated** Dump Truck shown below.



ARTICULATED

	Drive wheels	Volume (tonne)			
		Min	Max	Min	Max
Small	6 x 4	22	24	14	15
Medium	6 x 6	25	28	15.5	17.6
Large	6 x 6	31.5	<	20	<

RIGID BODY

	Drive wheels	Volume (m3)			
		Min	Max	Min	Max
Small	4 x 2	25	36	18	25
Medium	4 x 2	40	65	26	41.5
Large	4 x 4	90	<	81	<

ADDITIONAL FUNCTIONS & ATTACHMENTS:

- Tailgate
- Ejector body
- Hungry boards

* Equipment specifications are a guide only and may vary by year, make and model.

HEAD OFFICE

Eastern Plant Hire
358 Whitehorse Road
Nunawading Victoria 3131
Australia

VISIT US

Office hours 6:00am – 6:30pm.
For emergency assistance outside of these times, call 03 8878 9111 to speak to our after hours representative.

CONTACT US

T 03 8878 9111
F 03 8878 9100
E admin@ephgroup.com.au
W easternplanthire.com

FOLLOW US

For latest news, social media & offers;
[f](#) easternplanthire
[t](#) EPHGroup
[in](#) eastern-plant-hire