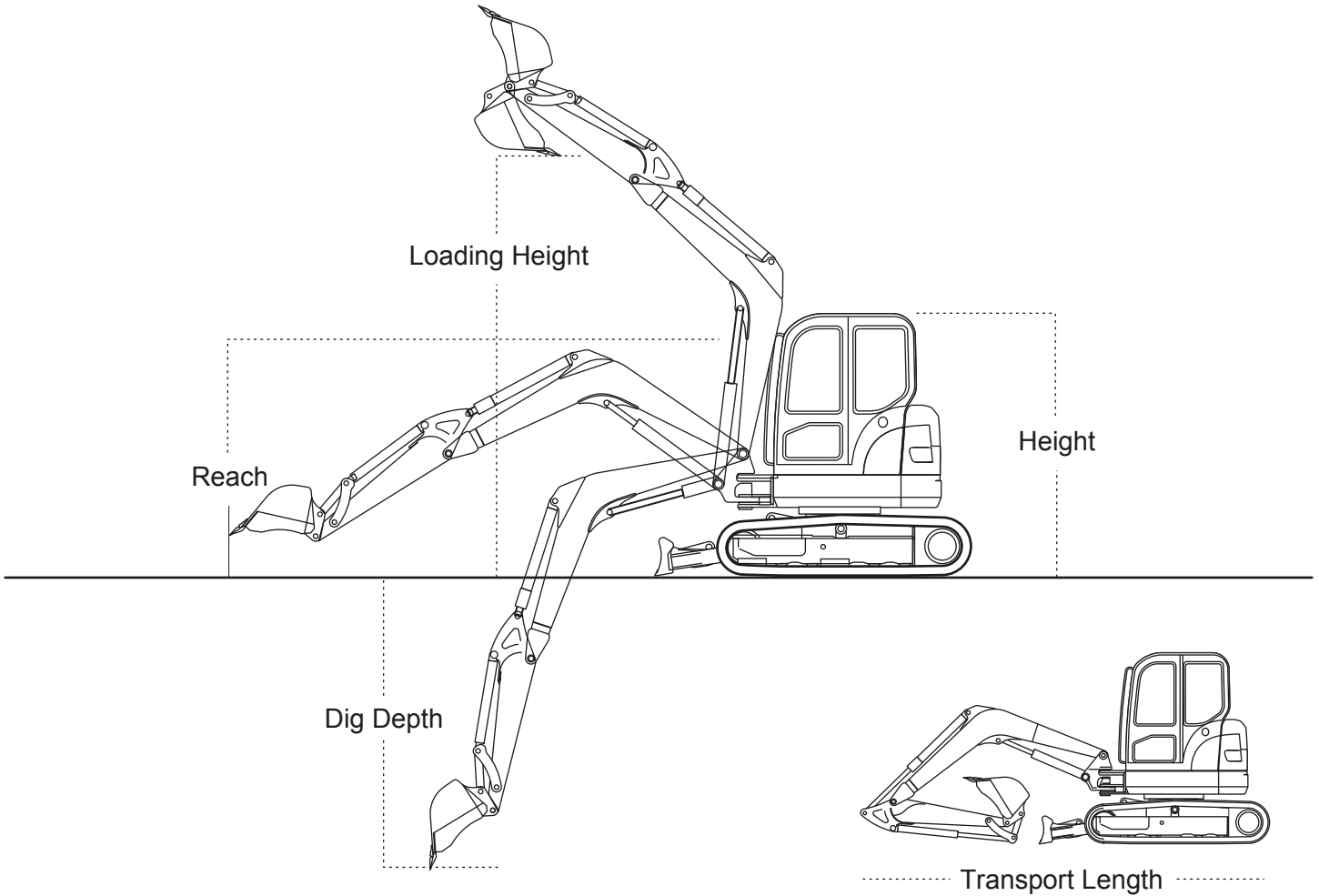


EXCAVATORS

SPECIFICATIONS PAGE 1 of 3 v.01/2013



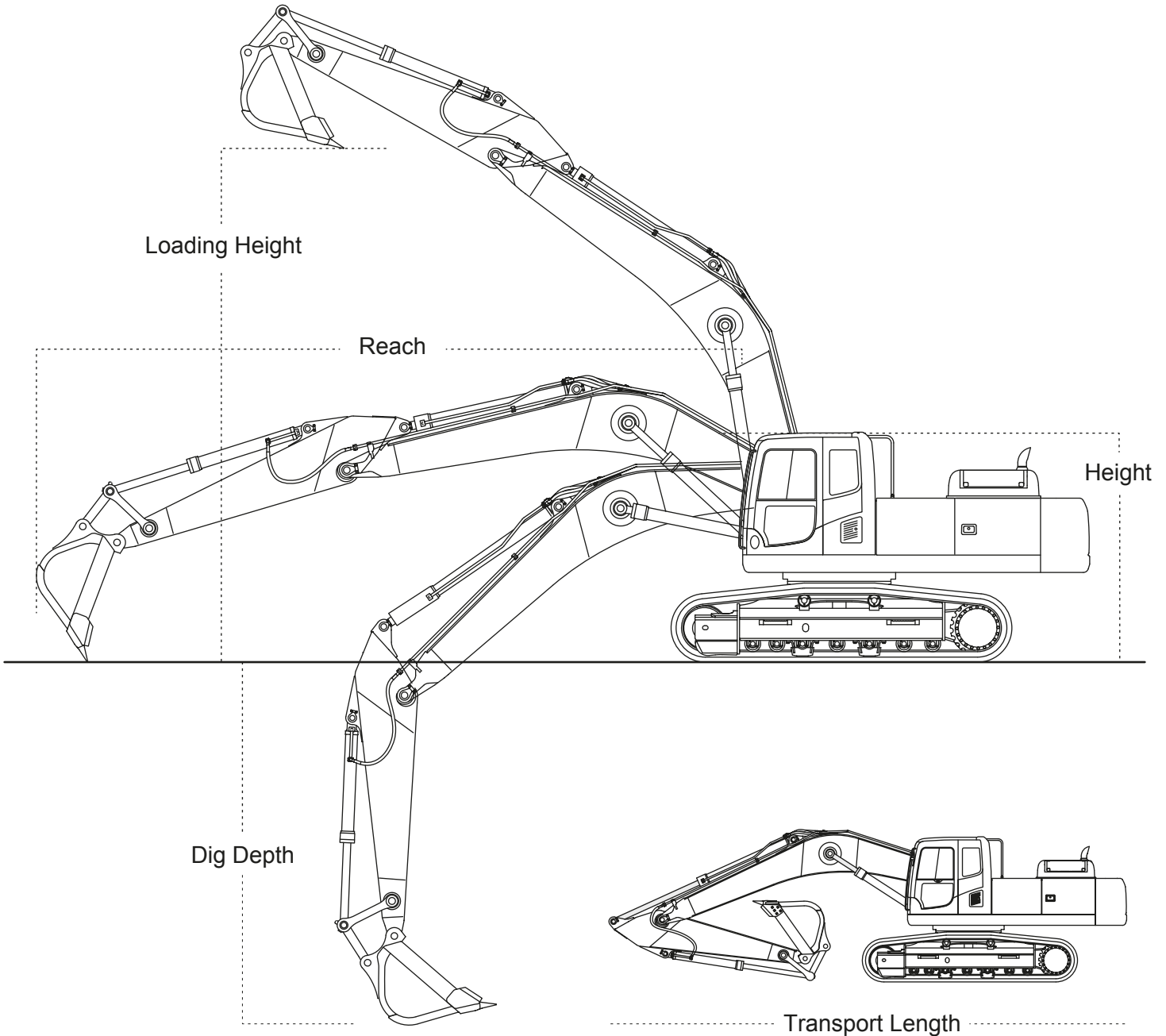
MINI - EXCAVATORS						
		Height (mm)	Transport Length (mm)	Width (mm)	Dig Depth (mm)	Reach (mm)
1 > 3.5 tonne	Min	2190	2600	750	1550	2730
	Max	2550	4700	1740	3000	5180
4 > 6 tonne	Min	2400	5000	1520	2640	4500
	Max	2700	6000	2290	4000	6500

* Equipment specifications are a guide only and may vary by year, make and model.

<p>HEAD OFFICE Eastern Plant Hire 358 Whitehorse Road Nunawading Victoria 3131 Australia</p>	<p>VISIT US Office hours 6:00am – 6:30pm. For emergency assistance outside of these times, call 03 8878 9111 to speak to our after hours representative.</p>	<p>CONTACT US T 03 8878 9111 F 03 8878 9100 E admin@ephgroup.com.au W easternplanthire.com</p>	<p>FOLLOW US For latest news, social media & offers; f easternplanthire t EPHGroup in eastern-plant-hire</p>
---	---	---	---

EXCAVATORS

SPECIFICATIONS PAGE 2 of 3 v.01/2013



* Equipment specifications are a guide only and may vary by year, make and model.

HEAD OFFICE

Eastern Plant Hire
358 Whitehorse Road
Nunawading Victoria 3131
Australia

VISIT US

Office hours 6:00am – 6:30pm.
For emergency assistance outside of
these times, call 03 8878 9111 to speak
to our after hours representative.

CONTACT US

T 03 8878 9111
F 03 8878 9100
E admin@ephgroup.com.au
W easternplanthire.com

FOLLOW US

For latest news, social media & offers;
[f](#) easternplanthire
[t](#) EPHGroup
[in](#) eastern-plant-hire

EXCAVATORS

SPECIFICATIONS PAGE 3 of 3 v.01/2013



MEDIUM – HEAVY EXCAVATORS

		Height (mm)	Length (mm)	Width (mm)	Dig depth (mm)	Reach (mm)
7 > 10 tonne	Min	2600	6000	2150	3900	6260
	Max	2973	7000	2350	4800	7200
12 > 14 tonne	Min	2710	6825	2490	4670	7610
	Max	3160	7820	2600	5900	8805
15 > 17 tonne	Min	2800	6950	2490	4990	7410
	Max	3270	8700	2800	6300	8870
18 > 22 tonne	Min	2900	8650	2800	6010	8800
	Max	3440	9550	3180	6700	10050
25 > 28 tonne	Min	2930	8900	3180	6450	9680
	Max	3345	10620	3390	7200	10500
30+ tonne	Min	3010	9820	2990	7020	10390
	Max	By request	By request	By request	By request	By request

ADDITIONAL FUNCTIONS & ATTACHMENTS FOR MINI & HEAVY EXCAVATORS:

- > **Rubber tracks** 1 to 13 tonne excavators are available with rubber tracks, which are designed to minimise surface disruption to developed areas.
- > **Bucket types/sizes** Ranging from 200mm to 2.0m in width, the different configurations available include; digging buckets, mud buckets, trenching buckets, sifting bucket and rock buckets.
- > **Rippers** Used for breaking, ripping and picking material.
- > **Hydraulic breaker** Commonly known as a hammer, they are used for breaking hard material such as rock, concrete and asphalt.
- > **Hydraulic augers** Used for drilling applications, diameter widths range from 200mm to 1500mm diameter, and from depths of 1.5m to 6m.
- > **Grabs** Acting like a claw, they are used for handling oversized and odd-shaped materials.
- > **Tilt hitch** Allows the attachment to be used on an angle different to that of the excavator.
- > **Offset boom** Ideal for use in confined spaces, it can operate at a perpendicular angle to the front of the excavator allowing for closer access against structures.
- > **Compaction wheel** Used for surface compaction.
- > **Hydraulic compaction plate** Used in the compaction of trenches where human access is restricted.

* Equipment specifications are a guide only and may vary by year, make and model.

HEAD OFFICE

Eastern Plant Hire
358 Whitehorse Road
Nunawading Victoria 3131
Australia

VISIT US

Office hours 6:00am – 6:30pm.
For emergency assistance outside of these times, call 03 8878 9111 to speak to our after hours representative.

CONTACT US

T 03 8878 9111
F 03 8878 9100
E admin@ephgroup.com.au
W easternplanthire.com

FOLLOW US

For latest news, social media & offers;
[f](#) easternplanthire
[t](#) EPHGroup
[in](#) eastern-plant-hire