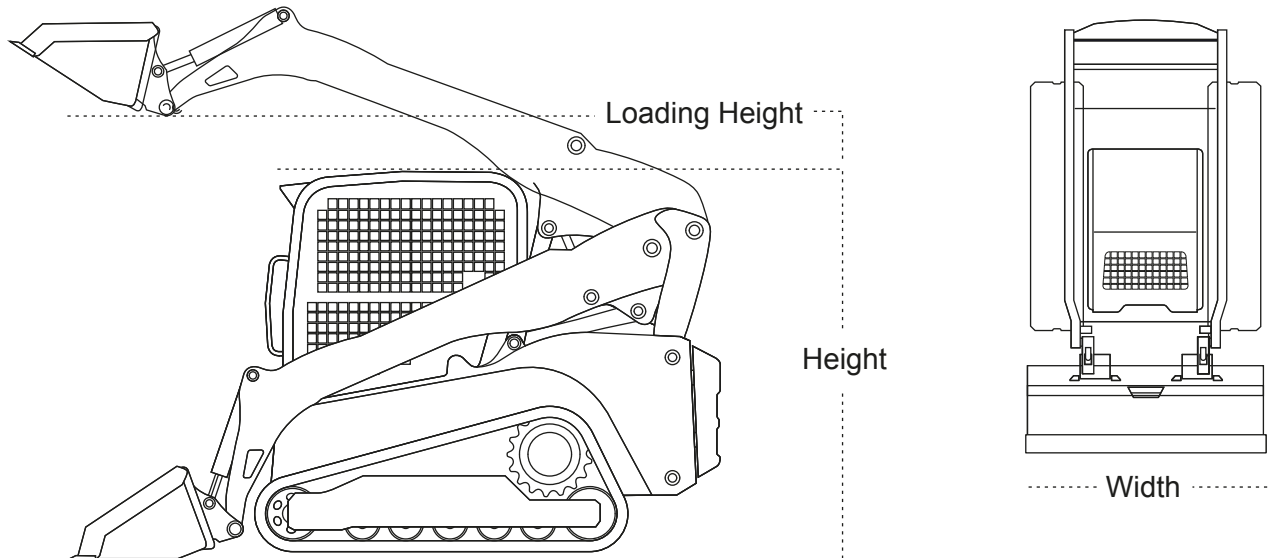


# POSI TRACKS

SPECIFICATIONS v.01/2013



	Height (mm)	Width (mm)	Bucket Volume (m3)	Loading Height (mm)
Small	1800	1200	0.2	2000
Medium	2000	1550	0.4	2400
Large	2400	2000	0.6	2600

## ADDITIONAL FUNCTIONS & ATTACHMENTS:

- > **4-in-1 bucket** The general bucket attachment with the ability to scrap and grab.
- > **Smudge bar** Used for spreading and levelling material.
- > **Hydraulic augers** Used for drilling applications, diameter widths commonly range from 300mm to 600mm diameter, and varying depths.
- > **Broom attachment** Used for general debris clean up around site on sealed surfaces (such as concrete or asphalt).
- > **Trencher** Used for digging straight trenches for pipes and cables.
- > **Fork tynes** Used for pallet loading applications.

\* Equipment specifications are a guide only and may vary by year, make and model.

### HEAD OFFICE

Eastern Plant Hire  
358 Whitehorse Road  
Nunawading Victoria 3131  
Australia

### VISIT US

Office hours 6:00am – 6:30pm.  
For emergency assistance outside of these times, call 03 8878 9111 to speak to our after hours representative.

### CONTACT US

T 03 8878 9111  
F 03 8878 9100  
E [admin@ephgroup.com.au](mailto:admin@ephgroup.com.au)  
W [easternplanthire.com](http://easternplanthire.com)

### FOLLOW US

For latest news, social media & offers;  
[f easternplanthire](https://www.facebook.com/easternplanthire)  
[t EPHGroup](https://www.linkedin.com/company/ephgroup)  
[in eastern-plant-hire](https://www.instagram.com/eastern-plant-hire)