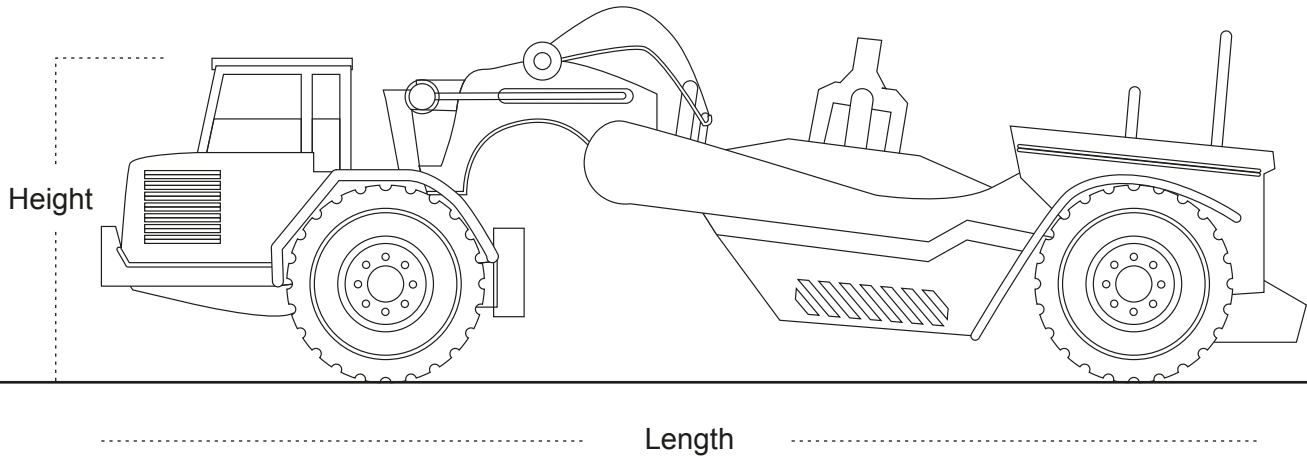


SCRAPERS

SPECIFICATIONS v.01/2013



	Bowl Capacity (m3)	Weight Capacity (tonne)	Width of Cut (mm)	Depth of Cut (mm)
Small	8.4	16	2430	160
Medium	17	34	3023	333
Large	34	68	3850	440

TYPES OF SCRAPERS

- > Bowl Scraper
- > Self Elevating Scraper

* Equipment specifications are a guide only and may vary by year, make and model.

HEAD OFFICE

Eastern Plant Hire
358 Whitehorse Road
Nunawading Victoria 3131
Australia

VISIT US

Office hours 6:00am – 6:30pm.
For emergency assistance outside of these times, call 03 8878 9111 to speak to our after hours representative.

CONTACT US

T 03 8878 9111
F 03 8878 9100
E admin@ephgroup.com.au
W easternplanthire.com

FOLLOW US

For latest news, social media & offers;
[f](https://www.facebook.com/easternplanthire) easternplanthire
[t](https://twitter.com/EPHGroup) EPHGroup
[in](https://www.linkedin.com/company/eastern-plant-hire) eastern-plant-hire