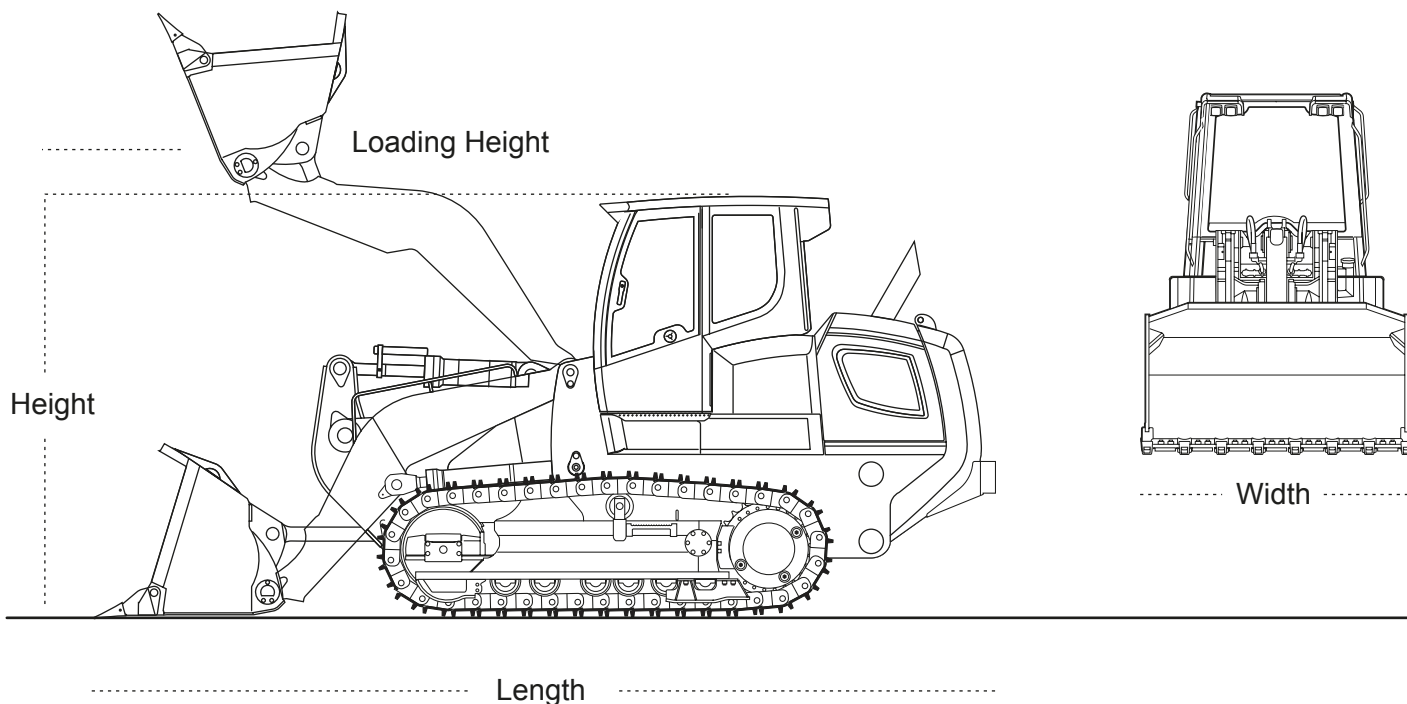


TRAXCAVATORS

SPECIFICATIONS v.01/2013



	Operating Weight (tonne)	Height (mm)	Length (mm)	Width (mm)	Bucket Capacity (mm)	Loading Height (mm)
Small	2.8	1970	3220	1470	1.15	2250
Medium	9.4	4385	4360	1960	1.85	2660
Large	21+	6848+	6848+	2308+	3.05	2910+

ADDITIONAL FUNCTIONS & ATTACHMENTS:

- > **4-in-1 bucket** The general bucket attachment with the ability to scrap and grab.
- > **Rippers** Mounted at the rear for ripping of densely compacted material.
- > **Tracks** Conventional or LGP tracks allow for access into softer sites.

* Equipment specifications are a guide only and may vary by year, make and model.

HEAD OFFICE

Eastern Plant Hire
358 Whitehorse Road
Nunawading Victoria 3131
Australia

VISIT US

Office hours 6:00am – 6:30pm.
For emergency assistance outside of these times, call 03 8878 9111 to speak to our after hours representative.

CONTACT US

T 03 8878 9111
F 03 8878 9100
E admin@ephgroup.com.au
W easternplanthire.com

FOLLOW US

For latest news, social media & offers;
[f](https://www.facebook.com/easternplanthire) easternplanthire
[t](https://www.linkedin.com/company/ephgroup) EPHGroup
[in](https://www.instagram.com/eastern-plant-hire) eastern-plant-hire