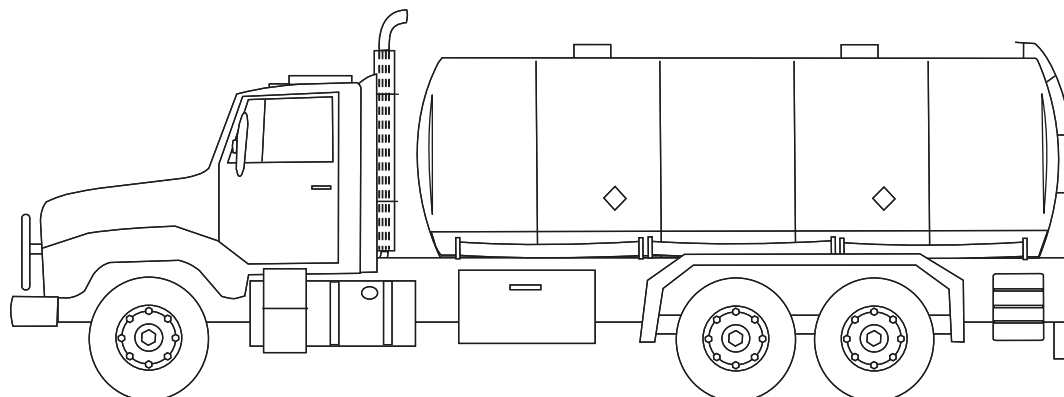


WATER CARTS

SPECIFICATIONS v.01/2013



	Capacity (litre)
Single axle	7,500
Tandem axle	10,000
Semi	16,000+

ADDITIONAL FUNCTIONS & ATTACHMENTS:

- > **Front/Rear Intensity Spray Bars** Used for direct and accurate spraying options.
- > **Front/Rear Dribble Bars** Used for material conditions and civil road construction use.
- > **Hand Hose** Used for extra reach and hand watering functions.
- > **Fan Spray** Used for broad water coverage situations.
- > **Canon** Used for high pressure water spray.

* Equipment specifications are a guide only and may vary by year, make and model.

HEAD OFFICE

Eastern Plant Hire
358 Whitehorse Road
Nunawading Victoria 3131
Australia

VISIT US

Office hours 6:00am – 6:30pm.
For emergency assistance outside of
these times, call 03 8878 9111 to speak
to our after hours representative.

CONTACT US

T 03 8878 9111
F 03 8878 9100
E admin@ephgroup.com.au
W easternplanthire.com

FOLLOW US

For latest news, social media & offers;
[f easternplanthire](https://www.facebook.com/easternplanthire)
[t EPHGroup](https://www.twitter.com/EPHGroup)
[in eastern-plant-hire](https://www.linkedin.com/company/eastern-plant-hire)